



*此手冊中的所有圖像僅用於說明目的。

UHD Signage UH5N-E

LG webOS UHD 顯示器



超高清解析度



webOS 智慧平台



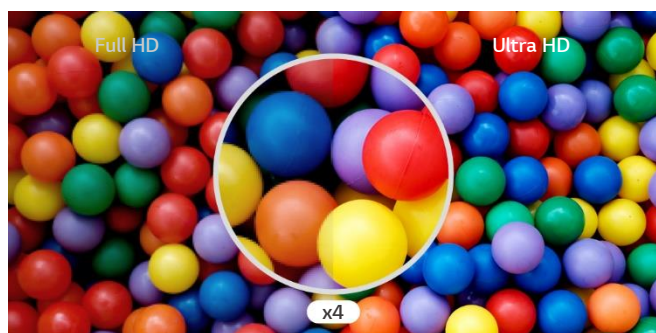
充分利用空間的巧妙設計



升級的安全防護

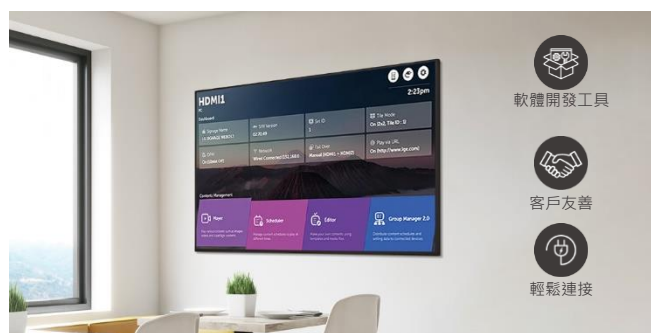
UH5N-E

尺寸	65" / 55" / 49" / 43"
解析度	3,840 × 2,160 (UHD)
亮度	500 nit (Typ.)
表面處理(霧面度)	28%
邊框寬度	8.9 mm (T/R/L), 12.9 mm (B)



UHD 超高清解析度

比 FHD 高出 4 倍的解析度，讓色彩細節更為細緻，畫面更顯生動真實。此外，IPS 面板提供的超廣可視角度，讓畫面在多個角度皆不失真。



搭載webOS 平台

UH5N-E系列配備高性能SoC，無需單獨的媒體播放器即可執行多項任務。LG webOS 平台採用直覺性的 GUI 和簡易的應用程式開發工具，提升使用者的便利性。



數形塗層

UH5N-E系列針對環境進行了優化，得益於電源板上的數形塗層，可免受鹽分、灰塵、鐵粉和濕氣等的影響，從而穩定運行。此外，更多以客戶為中心的功能如 IP5x、30 度傾斜和衝擊監控等，可提高可靠性和滿意度。



充分利用空間的巧妙設計

UH5N-E系列採用薄邊框設計以及簡單的電纜管理，可節省空間。隱藏式電源入口緊貼牆壁，留下約 13 mm 的支架空間。邊框配件還可轉換為藝術框架，使其成為與客戶室內空間匹配的時尚元素。

* 因尺寸差異，產品圖片與實際外觀會略有不同。

* 邊框配件單獨銷售，費用另計。



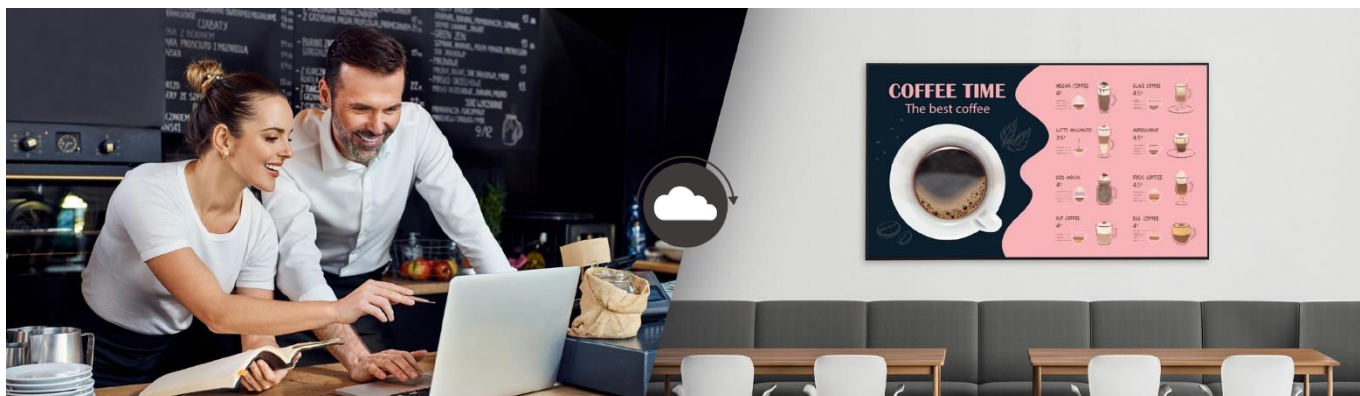
升級的安全防護

UH5N-E系列提供各項安全功能，包括 LG 的增強型內核保護 (EKP) 技術，保護重要數據免遭外部接觸或攻擊。LG UHD 顯示器還擁有資訊安全領域的可靠認證，可保護客戶的數據和業務。例如，此型號已通過 ISO/IEC 15408 通用標準 EAL2 認證。



永續性發展

致力於創新和永續性發展，LG 不斷努力為製造商、消費者和下一代創造更美好的未來。LG 專注於最大限度地減少浪費、回收利用和高效的電源管理，積極致力於永續性發展，並獲得了 FCC EMC B 級等各種認證。



SuperSign 解決方案

SuperSign 是一個完整且直觀的管理解決方案，提供富有創意且有組織的顯示器方案，通過便利的用戶體驗將客戶與一系列服務連接。SuperSign 有多種版本，例如 SuperSign Cloud，因此請享受最適合您的版本。

連接性

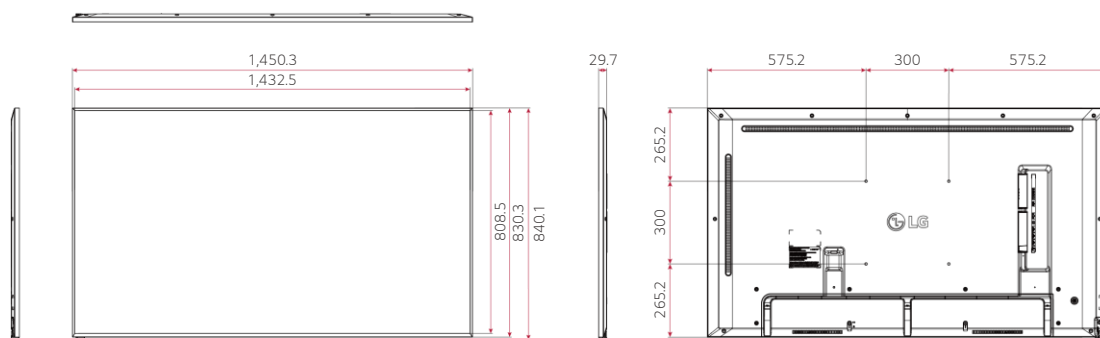
65" / 55" / 49" / 43"



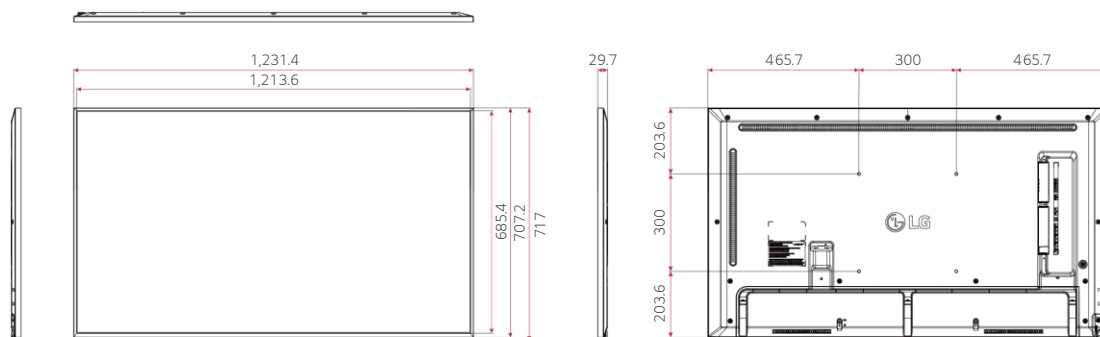
- | | | | |
|-------------|-------------|---------------|-------------------|
| ① LAN IN | ④ HDMI IN 3 | ⑦ USB 2.0 IN | ⑩ IR&LIGHT SENSOR |
| ② HDMI IN 1 | ⑤ DP IN | ⑧ RS-232C IN | ⑪ AUDIO OUT |
| ③ HDMI IN 2 | ⑥ HDMI OUT | ⑨ RS-232C OUT | |

DIMENSION (unit: mm)

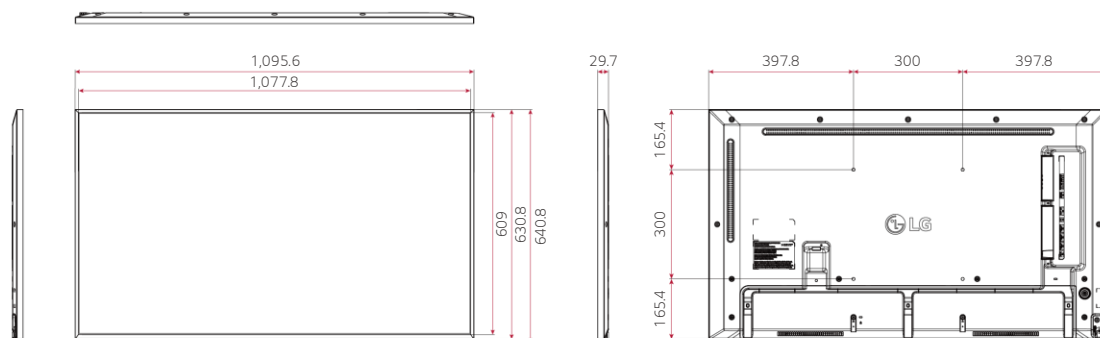
65"



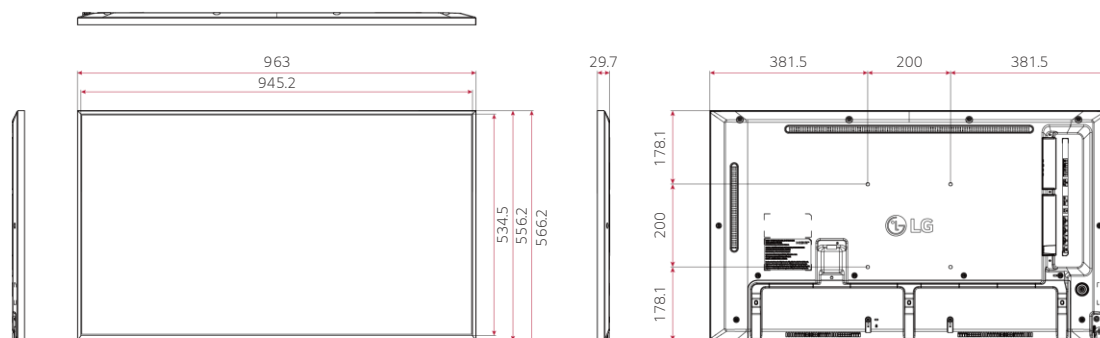
55"



49"



43"



	65UH5N-E	55UH5N-E	49UH5N-E	43UH5N-E	
Panel	Screen Size	65"	55"	49"	43"
	Panel Technology	IPS	IPS	IPS	IPS
	Back Light Type	Edge	Edge	Edge	Edge
	Aspect Ratio	16 : 9	16 : 9	16 : 9	16 : 9
	Native Resolution	3,840 × 2,160 (UHD)	3,840 × 2,160 (UHD)	3,840 × 2,160 (UHD)	3,840 × 2,160 (UHD)
	Refresh Rate	60 Hz	60 Hz	60 Hz	60 Hz
	Brightness	500 nit (Typ.)	500 nit (Typ.)	500 nit (Typ.)	500 nit (Typ.)
	Contrast Ratio	1,100 : 1	1,200 : 1	1,100 : 1	1,000 : 1
	Dynamic CR ¹⁾	1,000,000 : 1	1,000,000 : 1	1,000,000 : 1	1,000,000 : 1
	Color Gamut	BT709 95%	BT709 95%	BT709 95%	BT709 95%
	Viewing Angle (H × V)	178 × 178	178 × 178	178 × 178	178 × 178
	Color Depth	1.07 Billion Colors (10 bit (D))	1.07 Billion Colors (10 bit (D))	1.07 Billion Colors (10 bit (D))	1.07 Billion Colors (10 bit (D))
	Response Time	8 ms (T/R), 10 ms (T/F)	8 ms (T/R), 10 ms (T/F)	6 ms (T/R), 9 ms (T/F)	8 ms (T/R), 10 ms (T/F)
	Surface Treatment (Haze)	28%	28%	28%	28%
	Lifetime	50,000 Hrs (Min.)	50,000 Hrs (Min.)	50,000 Hrs (Min.)	50,000 Hrs (Min.)
Operation Hours (Hours/Day)	24 / 7	24 / 7	24 / 7	24 / 7	
Portrait / Landscape	Yes / Yes	Yes / Yes	Yes / Yes	Yes / Yes	
Connectivity	Input	HDMI In (3, 3,840 × 2,160 @ 60 Hz, HDCP 2.2/1.4), DP In (3,840 × 2,160 @ 60 Hz, HDCP 2.2/1.3), RS-232C In (4 Pin Phone-jack), RJ45 (LAN) In, IR In, USB In 2.0 (Type A)			
	Output	HDMI Out (3,840 × 2,160 @ 30 Hz, Input (HDMI 1/2/3/DP)), Audio Out, RS-232C Out (4 Pin Phone-jack), Daisy Chain (Input HDMI, DP / Output HDMI)			
Mechanical Specification	Bezel Color	Black	Black	Black	Black
	Bezel Width	8.9 mm (T/R/L), 12.9 mm (B)	8.9 mm (T/R/L), 12.9 mm (B)	8.9 mm (T/R/L), 12.9 mm (B)	8.9 mm (T/R/L), 12.9 mm (B)
	Weight (Head)	24.2 kg	16.1 kg	13.6 kg	11.1 kg
	Packed Weight	30.4 kg	20.5 kg	16.1 kg	12.8 kg
	Monitor Dimensions (W × H × D)	1,450.3 × 830.3 × 29.7 mm (Without IR)	1,231.4 × 707.2 × 29.7 mm (Without IR)	1,095.6 × 630.8 × 29.7 mm (Without IR)	963.0 × 556.2 × 29.7 mm (Without IR)
	Carton Dimensions (W × H × D)	1,600 × 970 × 172 mm	1,360 × 801 × 161 mm	1,215 × 736 × 152 mm	1,055 × 660 × 142 mm
	Handle	No	No	No	No
	VESA™ Standard Mount Interface	300 × 300 mm	300 × 300 mm	300 × 300 mm	200 × 200 mm
Key Feature	Internal Memory 16 GB, Built-in Wi-Fi, Sensor (Temperature Sensor, Auto Brightness Sensor (External IR), Acceleration (Gyro) Sensor), Local Key Operation, Built-in Speaker, webOS 6.0, Local Contents Scheduling, Group Manager, USB Plug & Play, Fail Over, Image (Booting Logo Image, No Signal Image), Sync (RS-232C Sync, Local Network Sync), PIP, PBP (4), Screen Share, Video Tag (4), Play via URL, Rotation (Screen Rotation, External Input Rotation), Gapless Playback, Tile Mode Setting (Max. 15 × 15), Setting Data Cloning, SNMP, ISM Method, Auto Set ID, Status Mailing, Control Manager, 3 rd Party Compatibility (Cisco Certi, Crestron Connected [®] 2)), Smart Energy Saving, PM Mode, Wake on LAN, Network Ready, Beacon, HDMI-CEC ³⁾ , SI Server Setting, webRTC, Prodiom				
Environment Conditions	Operation Temperature	0°C to 40°C	0°C to 40°C	0°C to 40°C	0°C to 40°C
	Operation Humidity	10% to 80%	10% to 80%	10% to 80%	10% to 80%
Power	Power Supply	AC 100-240 V ~, 50/60 Hz	AC 100-240 V ~, 50/60 Hz	AC 100-240 V ~, 50/60 Hz	AC 100-240 V ~, 50/60 Hz
	Power Type	Built-in Power	Built-in Power	Built-in Power	Built-in Power
Power Consumption	Typ. / Max.	145 W / 200 W	110 W / 160 W	100 W / 140 W	80 W / 120 W
	BTU (British Thermal Cabinet)	495 BTU/Hr (Typ.), 682 BTU/Hr (Max.)	375 BTU/Hr (Typ.), 546 BTU/Hr (Max.)	341 BTU/Hr (Typ.), 478 BTU/Hr (Max.)	273 BTU/Hr (Typ.), 409 BTU/Hr (Max.)
	Smart Energy Saving, ~70%	101.5 W	77 W	70 W	56 W
	DPM	0.5 W	0.5 W	0.5 W	0.5 W
	Power Off	0.5 W	0.5 W	0.5 W	0.5 W
	Safety	CB / NRTL	CB / NRTL	CB / NRTL	CB / NRTL
Certification	EMC	FCC Class "B" / CE / KC	FCC Class "B" / CE / KC	FCC Class "B" / CE / KC	FCC Class "B" / CE / KC
	ErP / Energy Star	Yes (NewErP) / Yes	Yes (NewErP) / Yes	Yes (NewErP) / Yes	Yes (NewErP) / Yes
	ePEAT (US only)	Yes	Yes	Yes	Yes
	ISTA6	Yes (-'23.9, US Suffix Only)	Yes (-'23.9, US Suffix Only)	Yes (-'23.9, US Suffix Only)	Yes (-'23.9, US Suffix Only)
	Carbon Trust	Yes (CO2 Measured (TBD))	Yes (CO2 Measured (TBD))	Yes (CO2 Measured (TBD))	Yes (CO2 Measured (TBD))
OPS Compatibility	OPS Type Compatible	No	No	No	No
	OPS Power Built-in	No	No	No	No
Software Compatibility	SuperSign CMS, SuperSign Control / Control+, SuperSign WB, SuperSign Cloud, Promota (Not Available for EU/CIS), Mobile CMS, LG ConnectedCare ⁴⁾				
Language	English, French, German, Spanish, Italian, Korean, Chinese (Simplified), Chinese (Original), Portugues (Brazil), Swedish, Finnish, Norwegian, Danish, Russian, Japanese, Portugues (Europe), Dutch, Czech, Greek, Türkiye, Arabic				
Accessory	Basic	Remote Controller, Power Cord, QSG, Regulation Book, Phone to RS-232C Gender, Cable Holder (2 ea), AC Cord Holder (1 ea)			
	Optional	Slim Wall Mount (WB21LM A/B), Normal Wall Mount (OLW480 A/B) Wall Mount Adapter (AM-B330S)	Slim Wall Mount (WB21LM A/B), Normal Wall Mount (OLW480 A/B) Wall Mount Adapter (AM-B330S)	Slim Wall Mount (WB21LM A/B), Normal Wall Mount (OLW480 A/B) Wall Mount Adapter (AM-B330S)	Slim Wall Mount (WB21LM A/B), Normal Wall Mount (LSW240 A/B) Wall Mount Adapter (AM-B220S)
Special Feature	Tilt (Face Down)	Yes (Max. 30° Degree, 40°C Temperature)			
	IP Rating	IP5X	IP5X	IP5X	IP5X
	Conformal Coating (Power Board)	Yes	Yes	Yes	Yes

¹⁾ The luminosity ratio of Full Black / Full White color on video input condition.

²⁾ Network based control.

³⁾ Compatibility may differ by equipment.

⁴⁾ The availability can differ by region.

* 規格如有變動恕不另行通知・詳細使用方式請見使用手冊。



Download
LG C-Display
Mobile App
Google Play Store

www.lg.com/global/business/information-display
www.youtube.com/c/LGCommercialDisplay
www.facebook.com/LGInformationDisplay
www.linkedin.com/company/LGinformationdisplay
twitter.com/LG_ID_HQ

LG may make changes to specifications and product descriptions without notice. Copyright © 2023 LG Electronics Inc. All rights reserved. "LG Life's Good" is a registered trademark of LG Corp. The names of products and brands mentioned here may be the trademarks of their respective owners.

